



Number Creator

I can order and compare numbers beyond 1000.



Ordering Numbers

Order these numbers from smallest to largest.

1300 3475 2894 9374 6352 5505

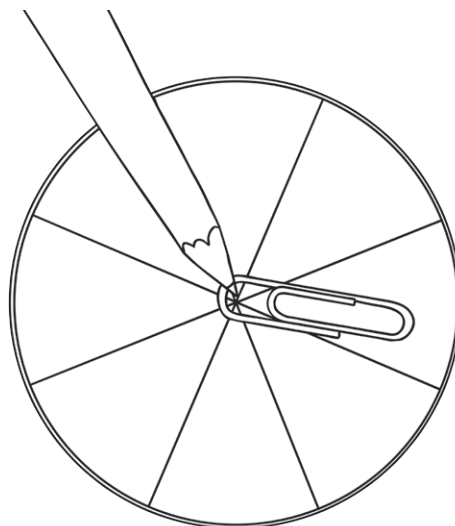
smallest						largest

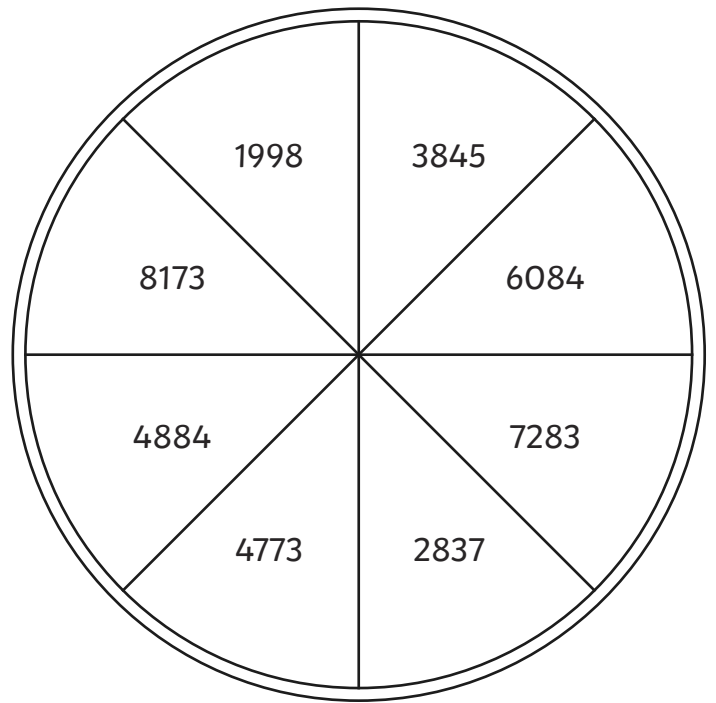
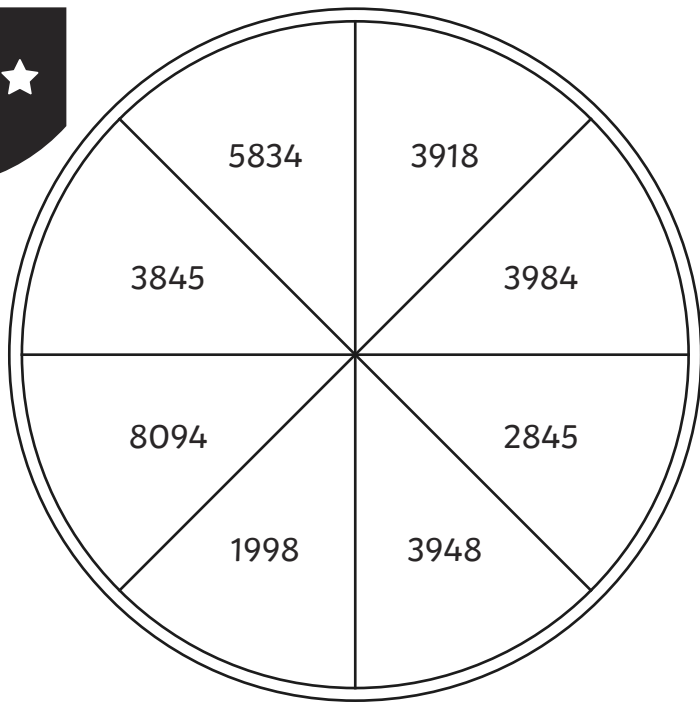
7483 2939 4583 8023 1029 3049

smallest						largest

Comparing Numbers

Place a paperclip in the centre of one of the spinners. Place a pencil point in the centre of the spinner and spin the paperclip. Write the number in the table below. Repeat with the other spinner. Compare the numbers using a comparison symbol: $>$, $<$ or $=$.





First Number	Comparison Symbol	Second Number
<i>e.g. 3984</i>	<	<i>8173</i>



Number Creator **Answers**

Question	Answer												
	Order these numbers from smallest to largest.												
	<table border="1"><thead><tr><th data-bbox="92 456 327 542">smallest</th><th colspan="4" data-bbox="327 456 1268 542"></th><th data-bbox="1268 456 1503 542">largest</th></tr></thead><tbody><tr><td data-bbox="92 542 327 636">1300</td><td data-bbox="327 542 561 636">2894</td><td data-bbox="561 542 798 636">3475</td><td data-bbox="798 542 1032 636">5505</td><td data-bbox="1032 542 1268 636">6352</td><td data-bbox="1268 542 1503 636">9374</td></tr></tbody></table>	smallest					largest	1300	2894	3475	5505	6352	9374
smallest					largest								
1300	2894	3475	5505	6352	9374								
	<table border="1"><thead><tr><th data-bbox="92 654 327 739">smallest</th><th colspan="4" data-bbox="327 654 1268 739"></th><th data-bbox="1268 654 1503 739">largest</th></tr></thead><tbody><tr><td data-bbox="92 739 327 855">1029</td><td data-bbox="327 739 561 855">2939</td><td data-bbox="561 739 798 855">3049</td><td data-bbox="798 739 1032 855">4583</td><td data-bbox="1032 739 1268 855">7483</td><td data-bbox="1268 739 1503 855">8023</td></tr></tbody></table>	smallest					largest	1029	2939	3049	4583	7483	8023
smallest					largest								
1029	2939	3049	4583	7483	8023								
	Compare the numbers using a comparison symbol: $>$, $<$ or $=$.												
	Multiple answers possible.												



Number Creator

I can order and compare numbers beyond 1000.



Ordering Numbers

Order these numbers from smallest to largest.

4857 4982 4727 5001 4892 3948

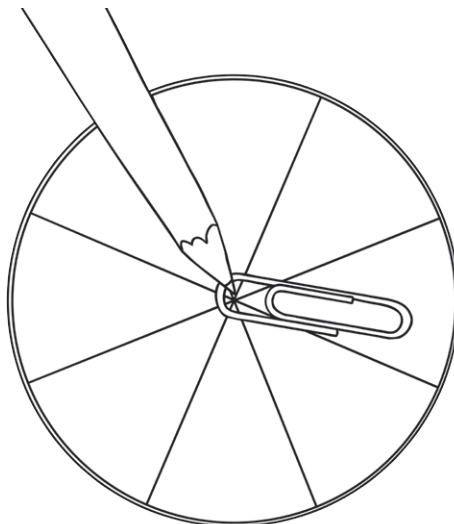
smallest						largest

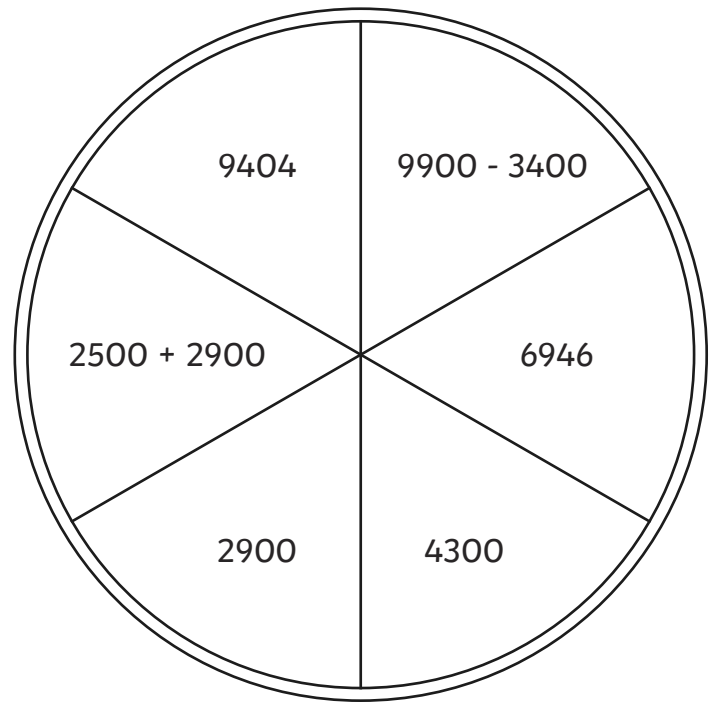
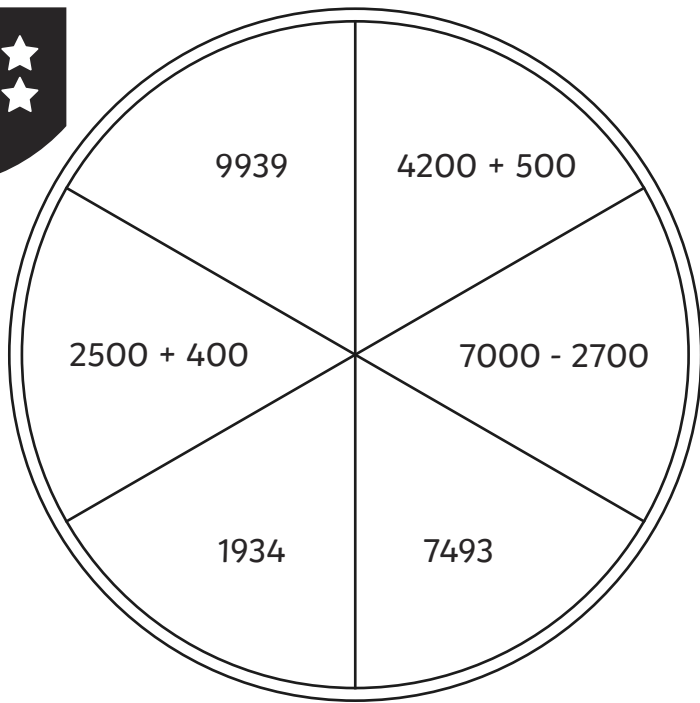
5723 5924 8203 3049 6384 5927

smallest						largest

Comparing Numbers

Place a paperclip in the centre of one of the spinners. Place a pencil point in the centre of the spinner and spin the paperclip. Write the number or equation in the table below. Repeat with the other spinner. Compare the numbers and/or equations using a comparison symbol: $>$, $<$ or $=$.





First Number	Comparison Symbol	Second Number
<i>e.g. 9939</i>	<i>></i>	<i>2500 + 2900</i>



Number Creator **Answers**

Question	Answer												
	Order these numbers from smallest to largest.												
	<table border="1"><thead><tr><th data-bbox="92 452 327 542">smallest</th><th colspan="4" data-bbox="327 452 1268 542">←—————→</th><th data-bbox="1268 452 1503 542">largest</th></tr></thead><tbody><tr><td data-bbox="92 542 327 631">3948</td><td data-bbox="327 542 561 631">4727</td><td data-bbox="561 542 798 631">4857</td><td data-bbox="798 542 1032 631">4892</td><td data-bbox="1032 542 1268 631">4982</td><td data-bbox="1268 542 1503 631">5001</td></tr></tbody></table>	smallest	←—————→				largest	3948	4727	4857	4892	4982	5001
smallest	←—————→				largest								
3948	4727	4857	4892	4982	5001								
	<table border="1"><thead><tr><th data-bbox="92 654 327 743">smallest</th><th colspan="4" data-bbox="327 654 1268 743">←—————→</th><th data-bbox="1268 654 1503 743">largest</th></tr></thead><tbody><tr><td data-bbox="92 743 327 833">3049</td><td data-bbox="327 743 561 833">5723</td><td data-bbox="561 743 798 833">5924</td><td data-bbox="798 743 1032 833">5927</td><td data-bbox="1032 743 1268 833">6384</td><td data-bbox="1268 743 1503 833">8203</td></tr></tbody></table>	smallest	←—————→				largest	3049	5723	5924	5927	6384	8203
smallest	←—————→				largest								
3049	5723	5924	5927	6384	8203								
	Compare the numbers using a comparison symbol: $>$, $<$ or $=$.												
	Multiple answers possible.												



Number Creator

I can order and compare numbers beyond 1000.



Ordering Numbers

Order these numbers from smallest to largest.

13 039 4939 3948 10 394 9458 5283

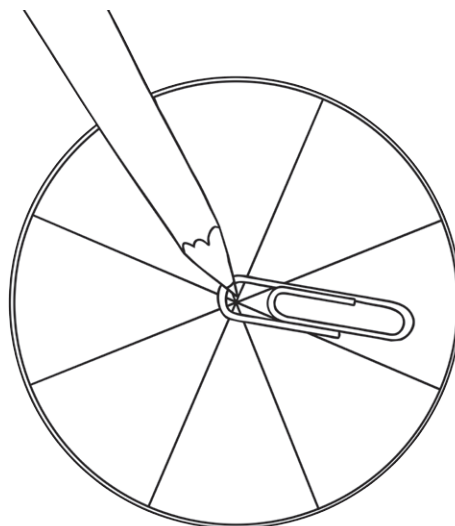
smallest						largest

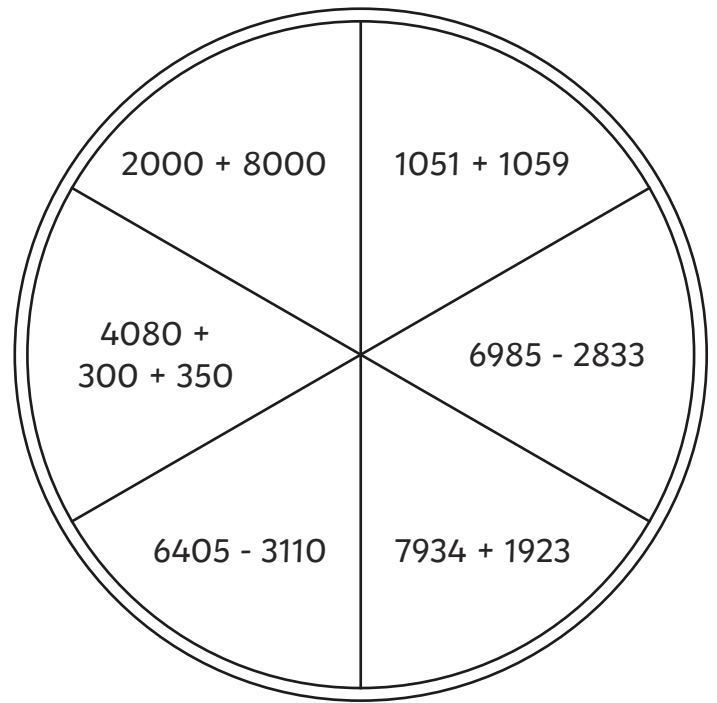
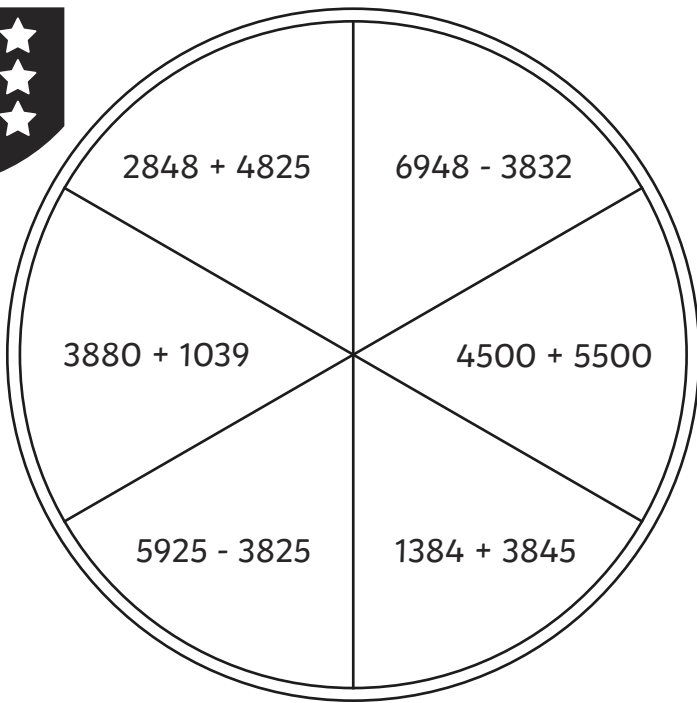
7585 16 049 7558 5758 7587 61 049

smallest						largest

Comparing Numbers

Place a paperclip in the centre of one of the spinners. Place a pencil point in the centre of the spinner and spin the paperclip. Write the equation in the table below. Repeat with the other spinner. Compare the equations using a comparison symbol: $>$, $<$ or $=$.





First Number	Comparison Symbol	Second Number
<i>e.g. 6948 - 3832</i>	<	<i>4080 + 300 + 350</i>



Number Creator **Answers**

Question	Answer												
	Order these numbers from smallest to largest.												
	<table border="1"><thead><tr><th data-bbox="92 452 327 542">smallest</th><th colspan="4" data-bbox="327 452 1268 542">←—————→</th><th data-bbox="1268 452 1503 542">largest</th></tr></thead><tbody><tr><td data-bbox="92 542 327 631">3948</td><td data-bbox="327 542 561 631">4939</td><td data-bbox="561 542 798 631">5283</td><td data-bbox="798 542 1032 631">9458</td><td data-bbox="1032 542 1268 631">10 394</td><td data-bbox="1268 542 1503 631">13 039</td></tr></tbody></table>	smallest	←—————→				largest	3948	4939	5283	9458	10 394	13 039
smallest	←—————→				largest								
3948	4939	5283	9458	10 394	13 039								
	<table border="1"><thead><tr><th data-bbox="92 649 327 739">smallest</th><th colspan="4" data-bbox="327 649 1268 739">←—————→</th><th data-bbox="1268 649 1503 739">largest</th></tr></thead><tbody><tr><td data-bbox="92 739 327 828">5758</td><td data-bbox="327 739 561 828">7558</td><td data-bbox="561 739 798 828">7585</td><td data-bbox="798 739 1032 828">7587</td><td data-bbox="1032 739 1268 828">16 049</td><td data-bbox="1268 739 1503 828">61 049</td></tr></tbody></table>	smallest	←—————→				largest	5758	7558	7585	7587	16 049	61 049
smallest	←—————→				largest								
5758	7558	7585	7587	16 049	61 049								
	Compare the numbers using a comparison symbol: $>$, $<$ or $=$.												
	Multiple answers possible.												